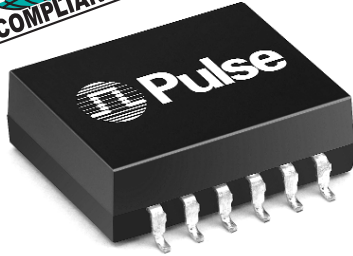


10/100BASE-TX SINGLE PORT TRANSFORMER MODULES

With Various Transmit Turns Ratios



- ⊕ For RoHS part add suffix **NL**⁴
- ⊕ Peak solder temperature rating per Table 5-2 in IPC/JEDEC J-STD-020C
- ⊕ Compact symmetrical size facilitates chip shooter placement and reduces manufacturing time
- ⊕ Meets IEEE 802.3 specification

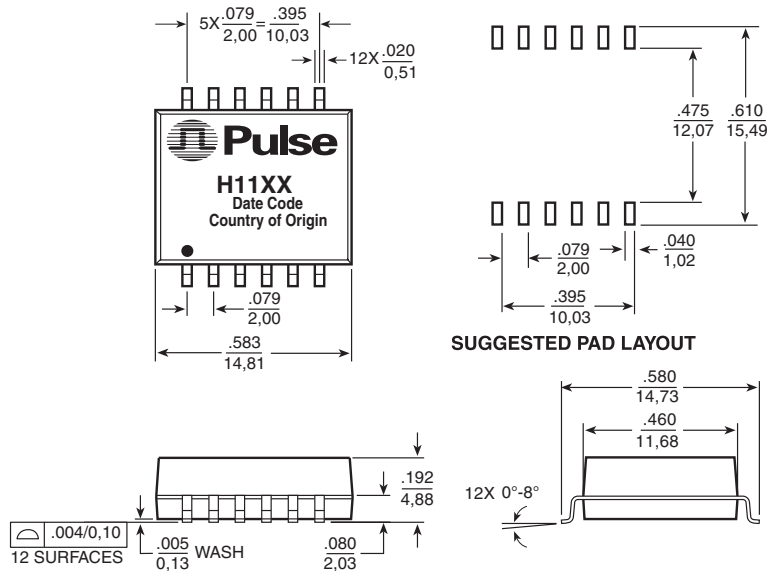
Electrical Specifications @ 25°C — Operating Temperature 0°C to 70°C

Part Number	RoHS	Turns Ratio Transmit	Insertion Loss (dB MAX)	Return Loss Transmit (dB MIN)				Differential to Common Mode Rejection (dB TYP)				Crosstalk (dB MIN)				Hipot (Vrms MIN)
				100kHz-100MHz	1-30MHz	40MHz	50MHz	60-80MHz	30MHz	60MHz	100MHz	200MHz	1MHz	30MHz	60MHz	
H1112	NL ^{3c}	1CT:1CT	1.2	-16	-14	-13	-12	-59	-49	-42	-37	-60	-40	-40	-35	1500
H1113	2, 3c	1CT:1CT	1.2	-16	-14	-13	-12	-55	-45	-38	-33	-60	-40	-40	-35	1500
H1126	2, 3c	1CT:1.414CT	1.2	-16	-14	-13	-12	-59	-49	-42	-37	-60	-40	-40	-35	1500

- For Tape & Reel packaging, add a "T" suffix at the end of the part number when ordering e.g. H1112T.
- Contact Pulse for RoHS compliant part availability.
- MSL=Moisture Sensitivity Level a=1 b=2 c=3 d=4
- Add suffix **NL** for RoHS compliant parts, e.g. H1112 changes to H1112NL or H1112NLT (for Tape & Reel).

Mechanical

H1112, H1113, H1126



Dimensions: $\frac{\text{Inches}}{\text{mm}}$

Unless otherwise specified, all tolerances are $\pm \frac{.010}{0,25}$

Weight1.7 grams
Tape & Reel350/reel
Tube30/tube

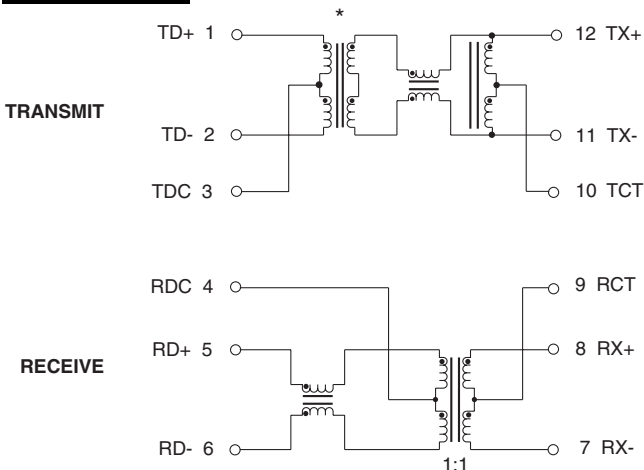
10/100BASE-TX SINGLE PORT TRANSFORMER MODULES

With Various Transmit Turns Ratios

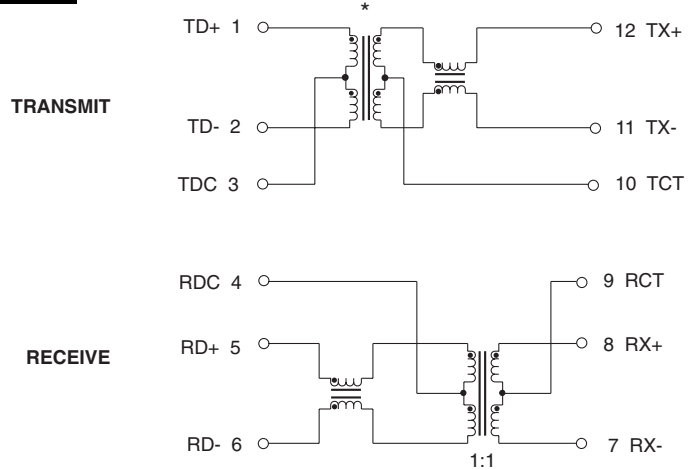


Schematics

H1112, H1126

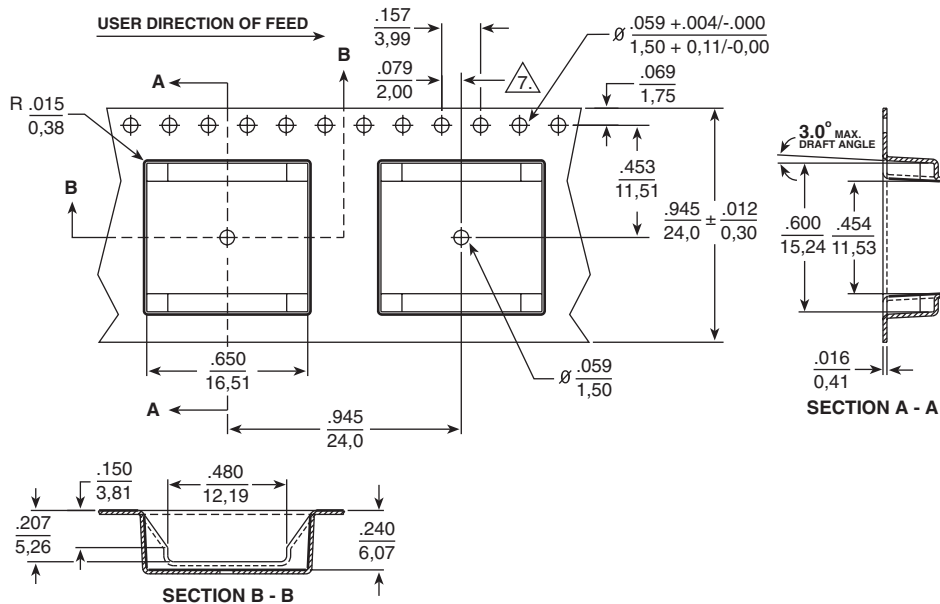


H1113



* Reference Electrical Specifications chart for turns ratio.

Tape and Reel Specifications



For More Information:

Pulse Worldwide Headquarters

12220 World Trade Dr.
San Diego, CA 92128
U.S.A.

www.pulseeng.com

TEL: 858 674 8100

FAX: 858 674 8262

Pulse European Headquarters

Einsteinstrasse 1
71083 Herrenberg
Germany

TEL: 49 7032 7806 0

FAX: 49 7032 7806 12

Pulse China Headquarters

No. 1
Industrial District
Changan, Dongguan
China

TEL: 86 769 85538070

FAX: 86 769 85538870

Pulse North China

Room 1503
XinYin Building
No. 888 YiShan Rd.
Shanghai 200233
China

TEL: 86 21 54643211/2

FAX: 86 21 54643210

Pulse South Asia

150 Kampong Ampat
#07-01/02
KA Centre
Singapore 368324

TEL: 65 6287 8998

FAX: 65 6280 0080

Pulse North Asia

No. 26
Kao Ching Rd.
Yang Mei Chen
Taoyuan Hsien
Taiwan, R. O. C.

TEL: 886 3 4641811

FAX: 886 3 4641911

Performance warranty of products offered on this data sheet is limited to the parameters specified. Data is subject to change without notice. Other brand and product names mentioned herein may be trademarks or registered trademarks of their respective owners.

© Copyright, 2006. Pulse Engineering, Inc. All rights reserved.

www.pulseeng.com